

Solo.

2023

PRODUCT CATALOGUE



Solo.

PRODUCT CATALOGUE 2023



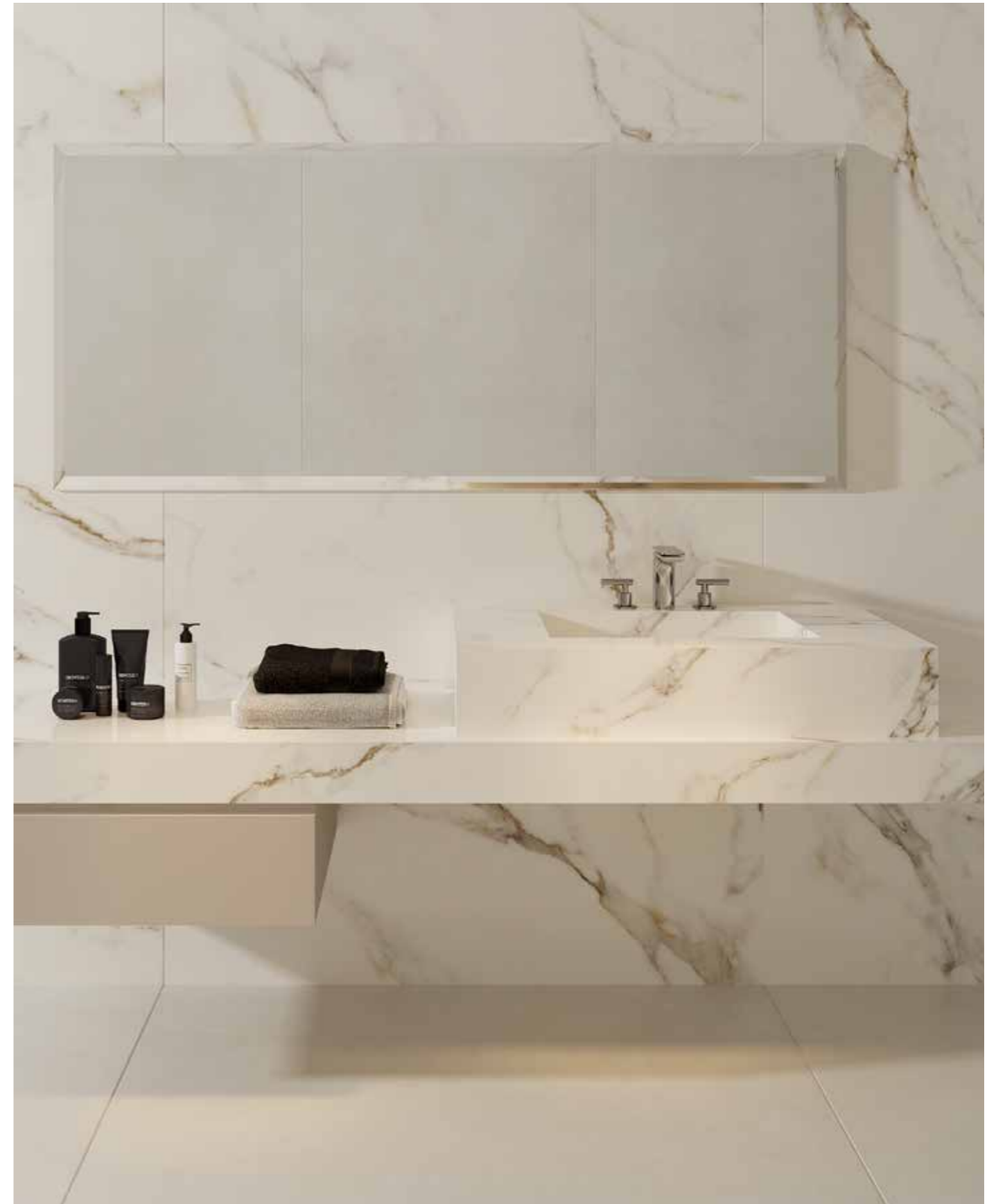
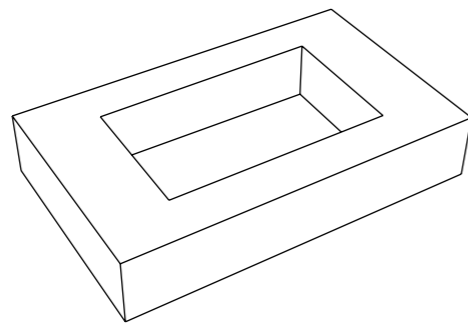
PMA's furniture is produced with the company's 100% porcelain ceramics. The quality of raw materials, precision in production, elegance and high quality of the product in terms of adhesion, grout, impact resistance and high weight tolerance are the features of the ceramic furniture.
Experience quality, beauty, modernity and harmony with PMA's porcelain ceramic furniture.



PMA porcelain features provide a situation which due to the quality of its materials with invaluable longevity, we can expand to create new design concepts. Architecture and design come together to offer an Innovative idea that become reality through the development of finished product Solutions along with the timeless of its designs, boosting an evolution that has no limits.

Wash Basins

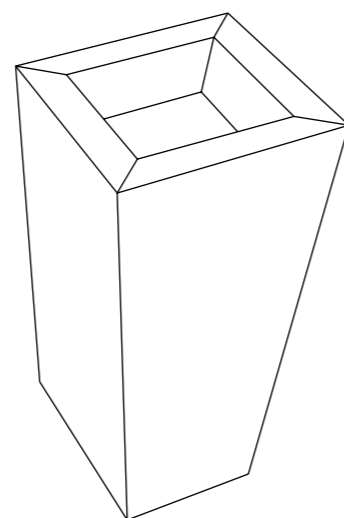
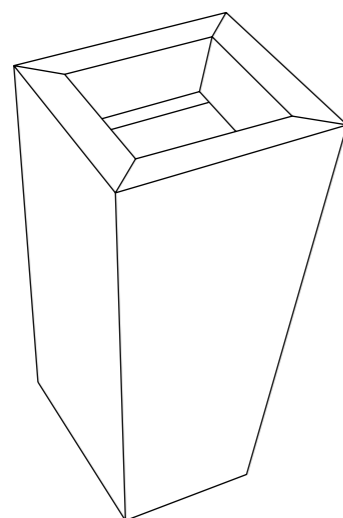
The new PMA's product line which represents minimalist design with the versatile character of these new sinks makes them ideal for its integration in space. Models with high plurality of dimensions and variants that combine design and functionality adapting to the needs of each bathroom.



PEDESTAL

DIMENSIONS	DRAIN SYSTEM	CODE
50 x 50 x 90 cm	VISIBLE	WBP-PD
50 x 50 x 90 cm	VISIBLE	WBN-PD
50 x 50 x 90 cm	VISIBLE	WBM-PD

DIMENSIONS	DRAIN SYSTEM	CODE
50 x 50 x 90 cm	INVISIBLE	WBP-PD
50 x 50 x 90 cm	INVISIBLE	WBN-PD



Configuration available

Installation: On the floor

Finishing: Polished (WBP) / Natural (WBN) / Soft Matte (WBM)

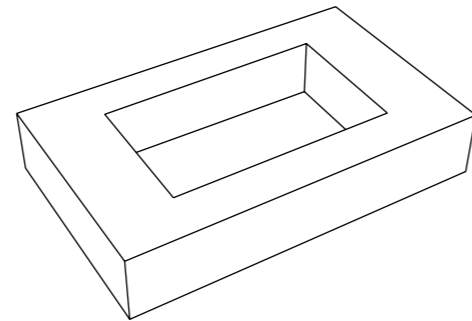
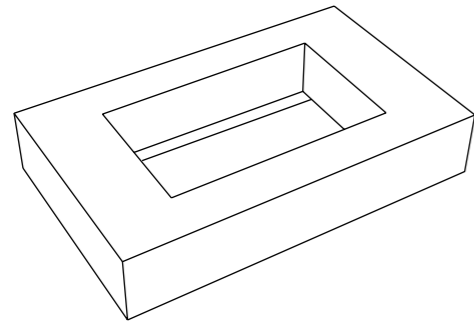




SURFACE

DIMENSIONS	DRAIN SYSTEM	CODE
80 x 50 x 25 cm	VISIBLE	WBP-SU
80 x 50 x 25 cm	VISIBLE	WBN-SU
80 x 50 x 25 cm	VISIBLE	WBM-SU

DIMENSIONS	DRAIN SYSTEM	CODE
80 x 50 x 20 cm	INVISIBLE	WBP-SU
80 x 50 x 20 cm	INVISIBLE	WBN-SU



Configuration available

Installation: Suspended / Supported

Finishing: Polished (WBP) / Natural (WBN) / Soft Matte (WBM)

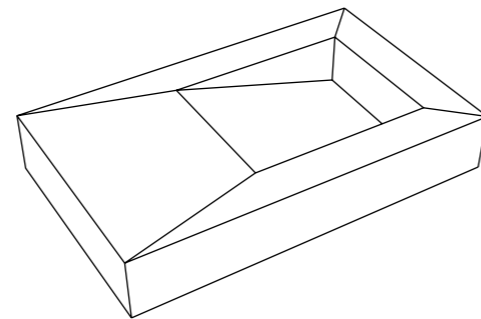
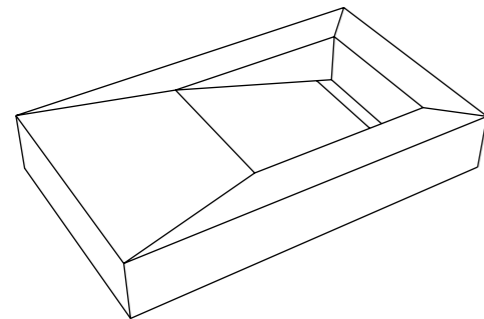




RAIN

DIMENSIONS	DRAIN SYSTEM	CODE
100 x 55 x 25 cm	VISIBLE	WBP-RN
100 x 55 x 25 cm	VISIBLE	WBN-RN
100 x 55 x 25 cm	VISIBLE	WBM-RN

DIMENSIONS	DRAIN SYSTEM	CODE
100 x 55 x 15 cm	INVISIBLE	WBP-RN
100 x 55 x 15 cm	INVISIBLE	WBN-RN



Configuration available

Installation: Suspended / Supported

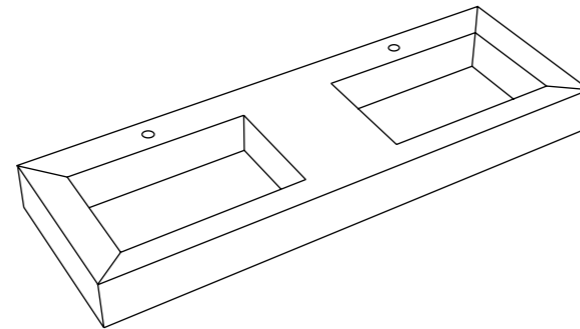
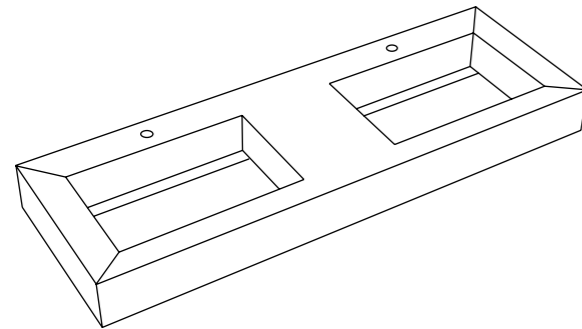
Finishing: Polished (WBP) / Natural (WBN) / Soft Matte (WBM)



MIRROR

DIMENSIONS	DRAIN SYSTEM	CODE
160 x 55 x 25 cm	VISIBLE	WBP-MR
160 x 55 x 25 cm	VISIBLE	WBN-MR
160 x 55 x 25 cm	VISIBLE	WBM-MR

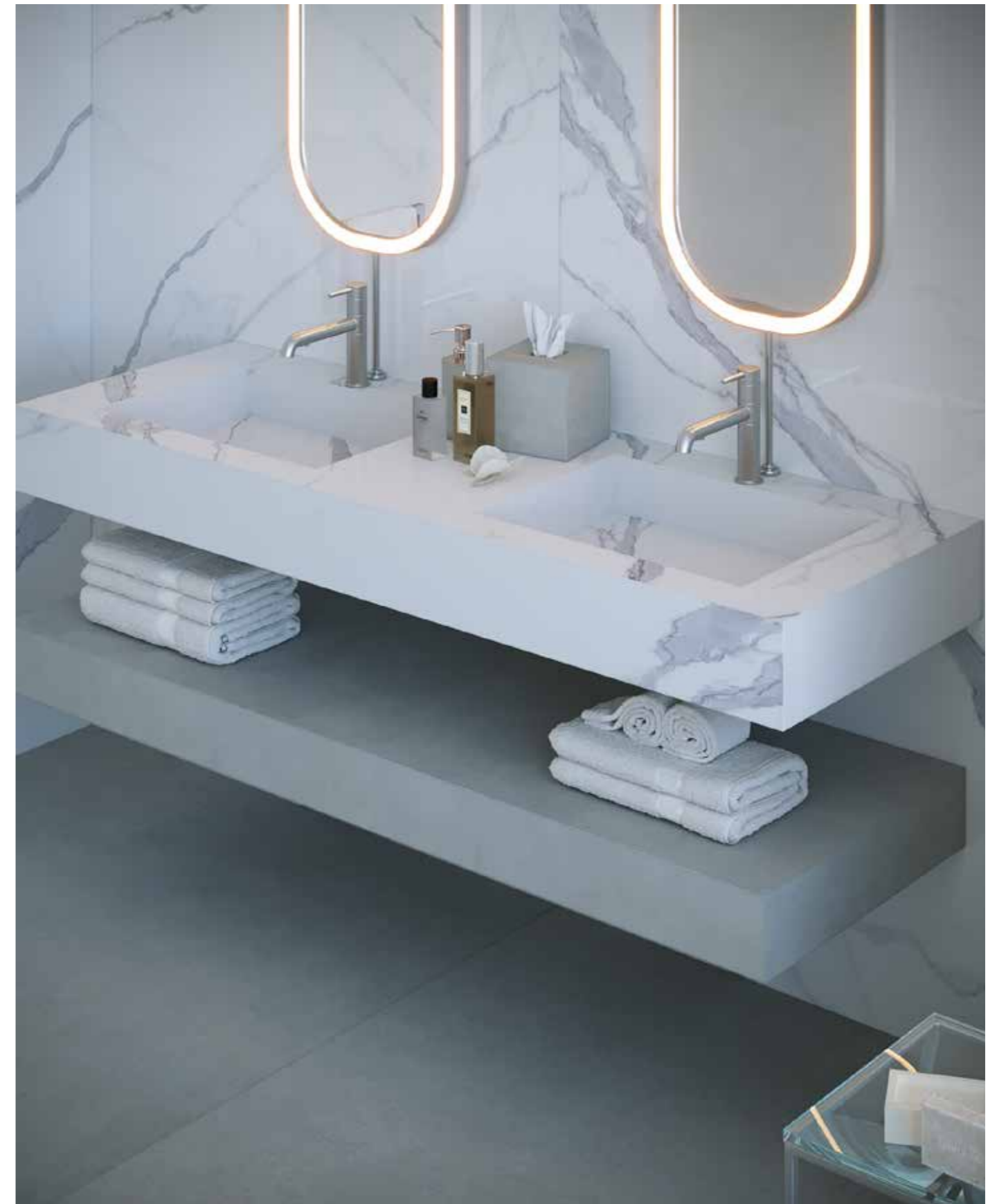
DIMENSIONS	DRAIN SYSTEM	CODE
160 x 55 x 15 cm	INVISIBLE	WBP-MR
160 x 55 x 15 cm	INVISIBLE	WBN-MR



Configuration available

Installation: Suspended / Supported

Finishing: Polished (WBP) / Natural (WBN) / Soft Matte (WBM)





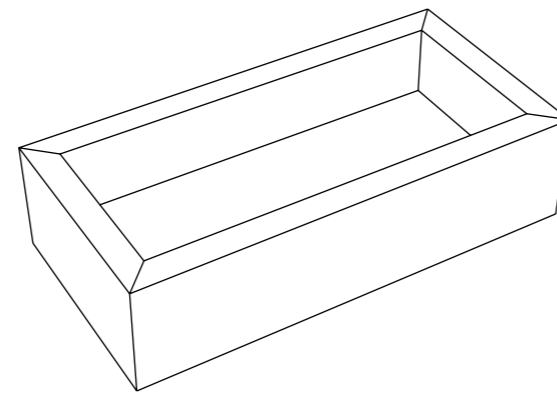
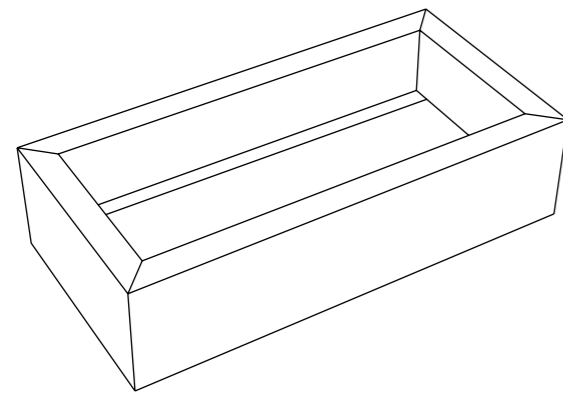




REXA

DIMENSIONS	DRAIN SYSTEM	CODE
80 x 40 x 20 cm	VISIBLE	WBP-RX
80 x 40 x 20 cm	VISIBLE	WBN-RX
80 x 40 x 20 cm	VISIBLE	WBM-RX

DIMENSIONS	DRAIN SYSTEM	CODE
80 x 40 x 20 cm	INVISIBLE	WBP-RX
80 x 40 x 20 cm	INVISIBLE	WBN-RX
80 x 40 x 20 cm	INVISIBLE </tr	



Configuration available

Installation: Supported

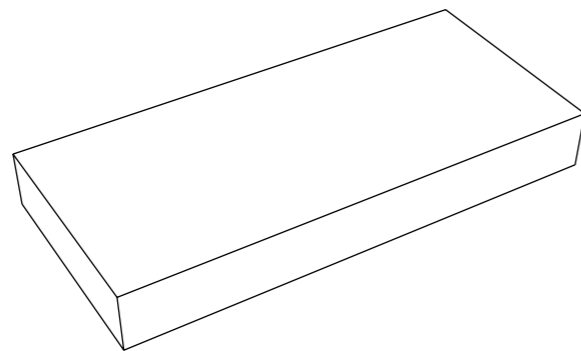
Finishing: Polished (WBP) / Natural (WBN) / Soft Matte (WBM)





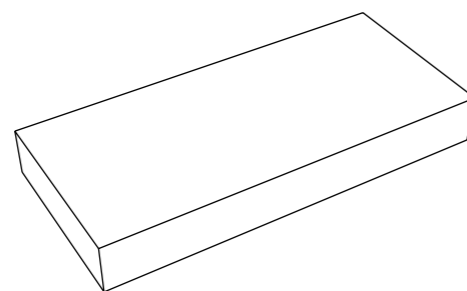
Box

Simplicity is a key factor for modern designing; this special concept has been provided by boxes which have produced by variety collections in different sizes. PMA boxes with the highest quality extend your designs ideas from surface to volume.



BOX

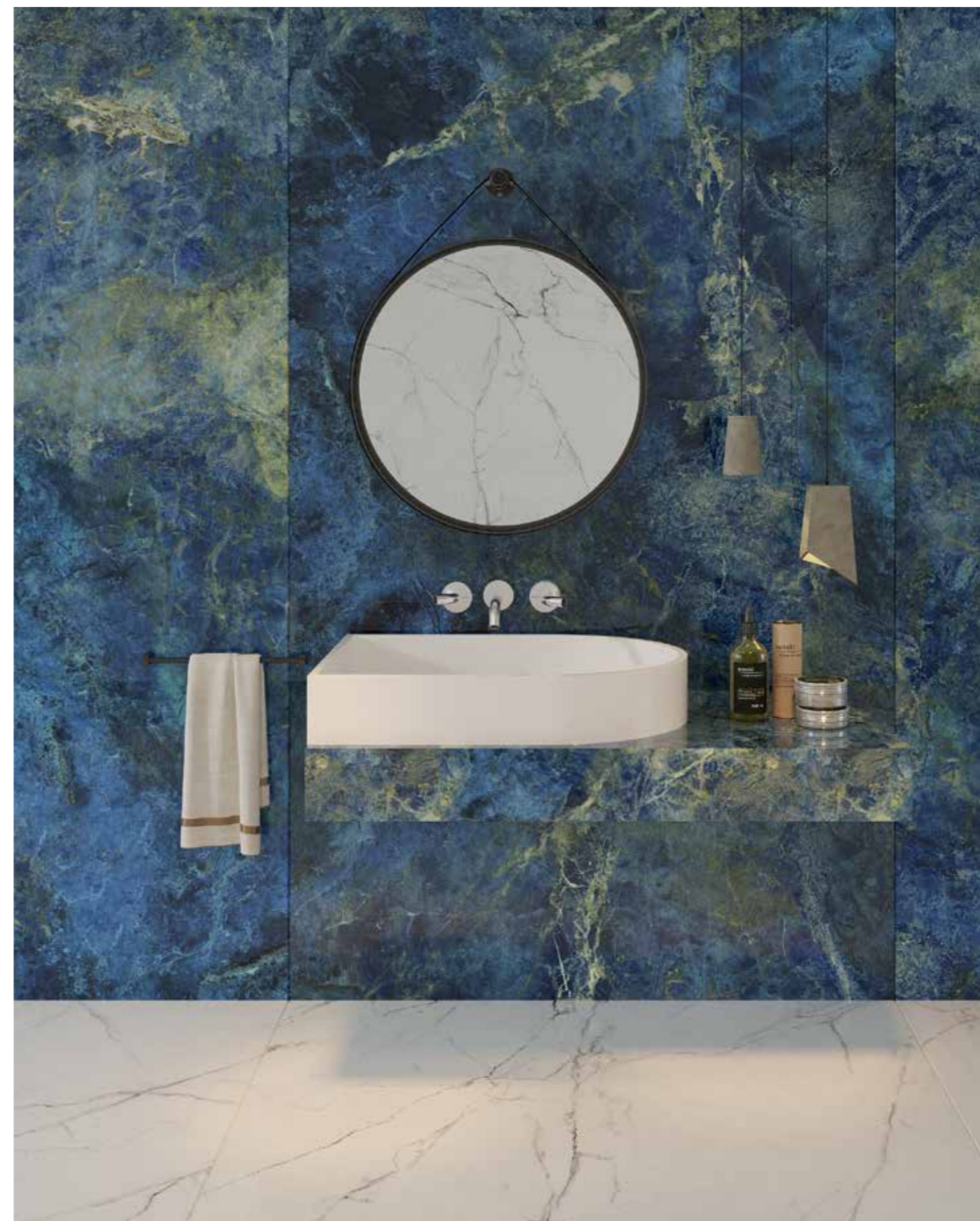
DIMENSIONS	CODE
120 x 55 x 15 cm	ET-P
120 x 55 x 15 cm	ET-N
120 x 55 x 15 cm	ET-M
100 x 50 x 12 cm	ET-P
100 x 50 x 12 cm	ET-N
100 x 50 x 12 cm	ET-M
80 x 45 x 10 cm	ET-P
80 x 45 x 10 cm	ET-N
80 x 45 x 10 cm	ET-M

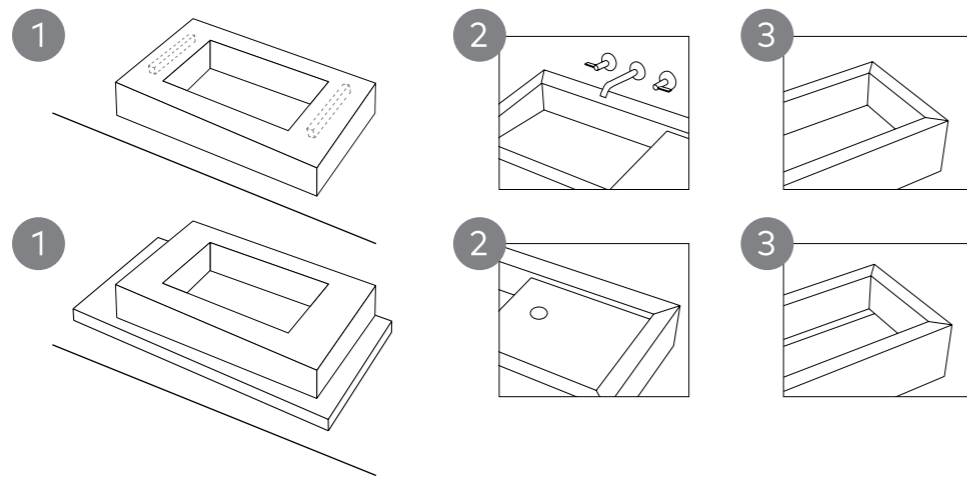


Configuration available

Installation: Suspended / Supported

Finishing: Polished (P) / Natural (N) / Soft Matte (M)





1

The sinks can be installed in two ways. Suspended, or supported on a worktop.

2

The taps may be installed on the wall/floor or incorporated on the deck of the sink through one or two holes.

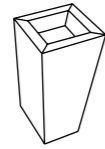
3

The drainage system can be either through a subtle drain slot or a removable drain cover.

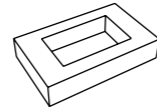
Available Matches

The vast setting possibilities of different designs of finished products favors its customization through the variety of **PMA** collections. Marbles, cements, stones, and metals available in them different finishes.

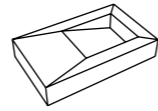
PEDESTAL



SURFACE

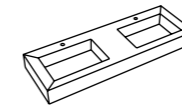


RAIN

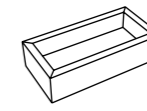


SAINT LAURENT	●	●	●
NERO MARQUINA	●	●	●
ARABESCATO SUPERIOR	●	●	●
CALACATTA GOLD	●	●	●
CALACATTA SILVA	—	—	—
STATUARIO VENATO	—	—	●
STATUARIO EXTRA	●	●	●
ELEGANT GREY	●	●	●
TUNDRA GREY	—	—	—
PIETRA GREY	●	●	●
ELEGANT BLUE	●	●	●
HAWAIIAN BORDEAUX	—	●	●
TAJ MAHAL	—	—	—
ROYAL MARBLE WHITE	—	—	—
NATURAL CONCRETE ASH	●	●	●
NATURAL CONCRETE LIGHT GREY	—	—	●
NATURAL CONCRETE GREY	●	●	●
NATURAL CONCRETE DARK GREY	—	—	—
URBAN GREY	—	—	—
URBAN SMOKE	—	—	—
GRAVITY ICE	●	●	●
GRAVITY NAVY	●	●	●
GRAVITY GREY	—	—	—
GRAVITY COPPER	—	—	—

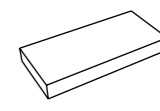
MIRROR



REXA



BOX



SAINT LAURENT	●	●	●
NERO MARQUINA	●	●	●
ARABESCATO SUPERIOR	●	—	●
CALACATTA GOLD	●	●	●
CALACATTA SILVA	—	—	●
STATUARIO VENATO	—	●	●
STATUARIO EXTRA	●	—	●
ELEGANT GREY	—	—	●
TUNDRA GREY	—	—	●
PIETRA GREY	—	—	●
ELEGANT BLUE	●	—	●
HAWAIIAN BORDEAUX	●	—	●
TAJ MAHAL	—	—	●
ROYAL MARBLE WHITE	—	—	●
NATURAL CONCRETE ASH	●	●	●
NATURAL CONCRETE LIGHT GREY	—	—	●
NATURAL CONCRETE GREY	●	●	●
NATURAL CONCRETE DARK GREY	—	—	●
URBAN GREY	—	—	●
URBAN SMOKE	—	—	●
GRAVITY ICE	—	—	●
GRAVITY NAVY	—	—	●
GRAVITY GREY	—	—	●
GRAVITY COPPER	—	—	●



SAINT LAURENT
Pol.



STATUARIO EXTRA
Pol.



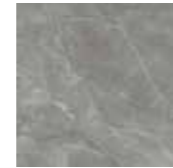
TAJ MAHAL
Nat.



URBAN GREY
Som.



NERO MARQUINA
Nat.



ELEGANT GREY
Nat.



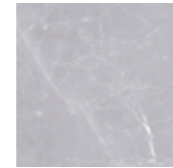
ROYAL MARBLE WHITE
Pol.



URBAN SMOKE
Som.



ARABESCATO SUPERIOR
Pol.



TUNDRA GREY
Pol.



NATURAL CONCRETE ASH
Som.



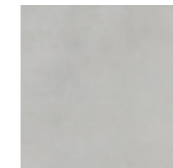
GRAVITY ICE
Nat.



CALACATTA GOLD
Pol.



PIETRA GREY
Pol.



NATURAL CONCRETE LIGHT GREY
Som.



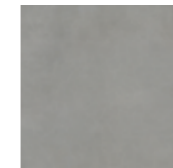
GRAVITY NAVY
Nat.



CALACATTA SILVA
Nat./Pol.



ELEGANT BLUE
Pol.



NATURAL CONCRETE GREY
Som.



GRAVITY BEIGE GREY
Nat.



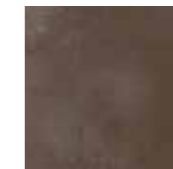
STATUARIO VENATO
Pol.



HAWAIIAN BORDEAUX
Pol.



NATURAL CONCRETE DARK GREY
Som.



GRAVITY COPPER
Nat.

PMA reserves the right to modify and/or discontinue certain models displayed in this catalogue. The colours and finishes of tiles shown in the catalogue may differ slightly from the originals. The settings shown in this catalogue are design proposals for advertising purposes.

PRODUCT CATALOGUE 2023



Main office:
No.80, West Brazil St, South Shirazi St,
Mollasadra Ave,
Tehran, Iran. (+9821) 45609
www.pma.co.ir